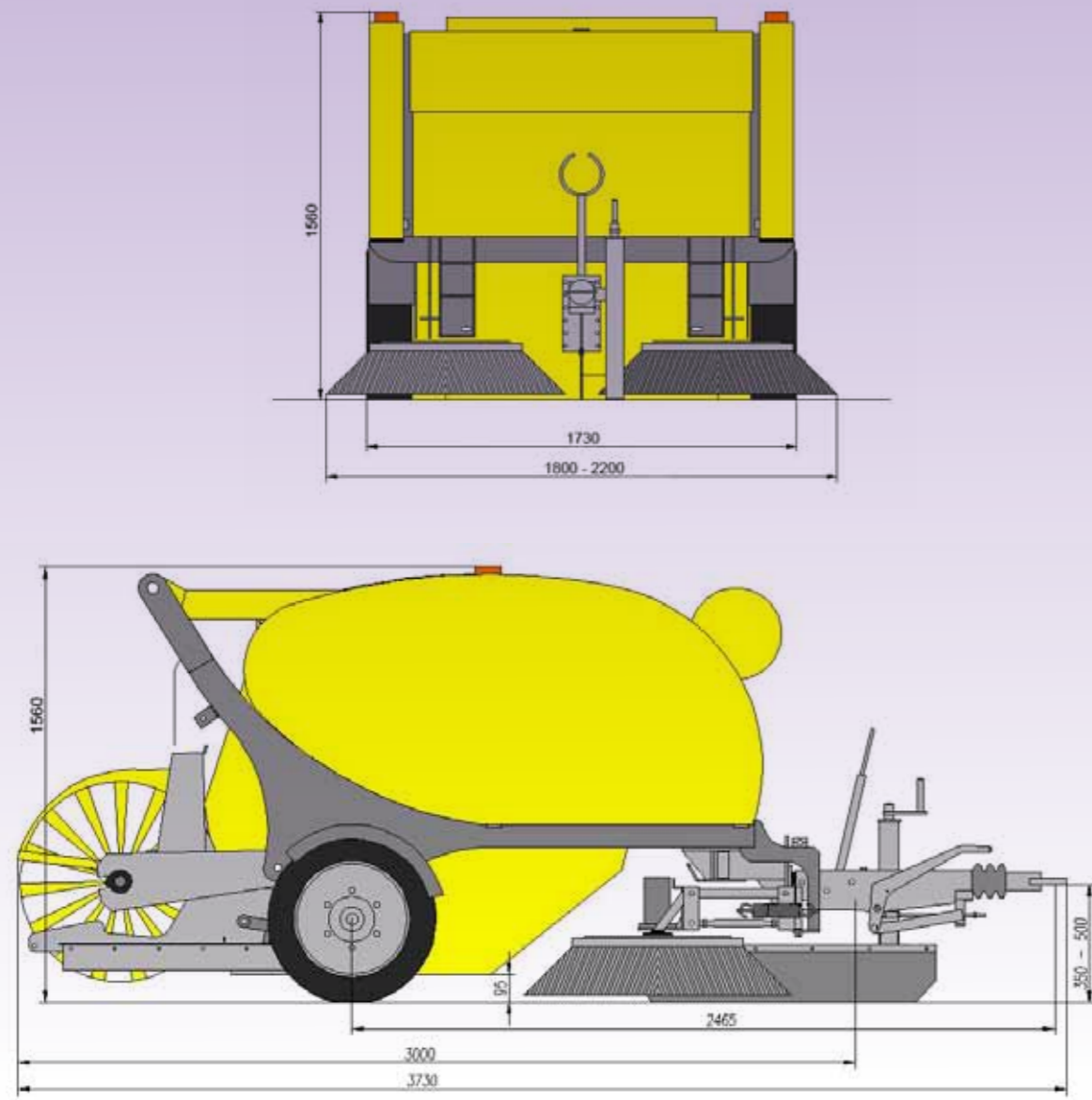


BRODD TWIST[®]



BRODD group



BRODD POLONIA SP. Z O.O.
 Modrzewiowa 9 Telephone
 41-219 Sosnowiec +48 32 2410 212 info@broddpolonia.pl www.broddpolonia.pl

TWIST 2 05/06/01/5Ch



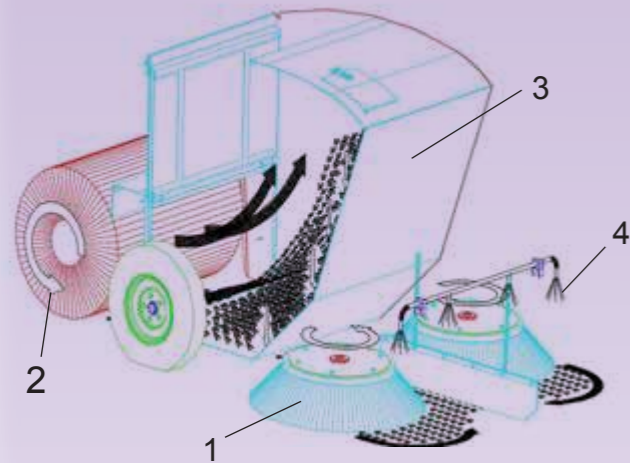
"The champion"

A flexible, efficient tractor trailer sweeper for smaller towing vehicles



BRODD TWIST[®]

The compact trailer sweeper



Sweeping principle

Both side brushes (1) sweep the dirt into the middle of the sweeper, the wide roller brush (2) throws the debris directly into the hopper (3). The sprinkler ramp (4) prevents the dust.



Easy and fast to couple up

Go backwards close to the sweeper and couple up the draw bar, connect the electric system for remote control and lighting, connect the gear box with the hydraulic pump to the power-take-off of the towing vehicle.

In a few minutes **TWIST** is ready for sweeping!



1.430 mm dumping height!

TWIST sweeper is designed to dump into a container or directly on the ground. Equipped with a large dirt hopper of 1,7 m³. This feature saves you several time-wasting and expensive daily transports to the discharge place.

All operations are operated from a remote control unit in the driver's cab.



Side displacement of the draw bar

TWIST is as standard equipped with a hydraulic left/right displacement of the draw-bar. It is remote controlled with joystick. The flexibility in curves and around e.g. poles gets even better and you can simply sweep "every corner" clean.



Full automatic floating broom suspension

The side brushes as well as the roller brush look after themselves without any manual adjustments during the full life time of the brushes.

Due to the unique "BRODD float" system the brushes will always be automatically adjusted, no matter the grade of wear on the brushes and they always maintain the correct pressure to the surface.



Sprinkler system

The side brushes provide an effective cleaning along kerbs. The water sprinkler system helps to prevent the dust.

Manual refuse input

Bigger pieces of rubbish can be put by hand into the dirt hopper, since the top is within comfortable reach.



Remote control

All sweeping operations are operated from the driver's cab. Sweeping on/off, water pump on/off and dirt hopper up/down.

Easy access for service

The electric, hydraulic controls, oil filter and water pump are protected from dust, dirt and wetness. They are placed at a convenient working height for service.

Because of its simple and robust construction, the TWIST is reliable and has an amazing ability to resist mechanical damage.